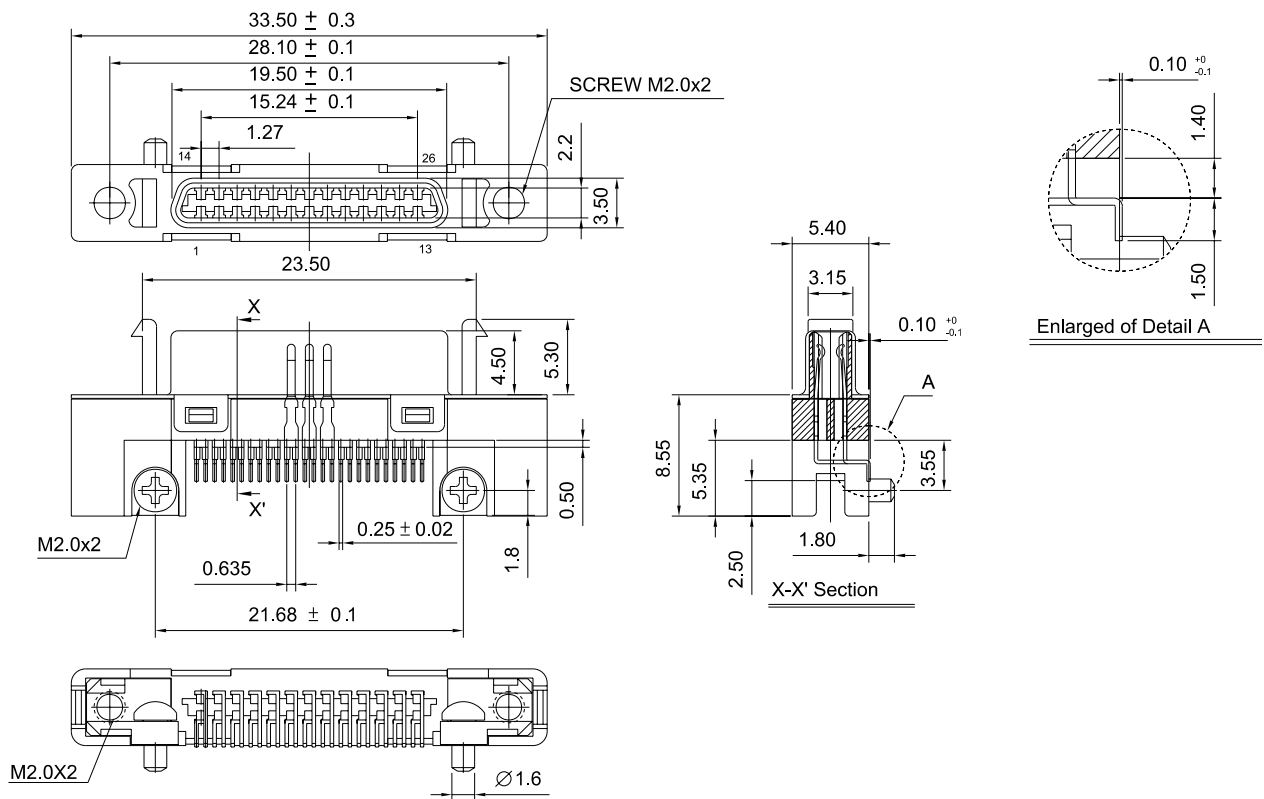


127113FB Series

Mates with SUYIN 127116, 127120 Series

Specifications:

- **26 Circuits** : Black High Temp. Plastic
- **Insulator material** : Nickel Plated Zinc-Alloy Die Cast
- **Die Cast Locking** : -40°C to +230°C
- **Operating Temp. Range** : Phosphor Bronze
- **Terminal Material** : Selective Plated (Gold/Tin)
- **Plating** : Metal shell-Nickel Plated
: Soldering clip-Tin Plated
- **Max. Current Rating** : 0.5A
- **Voltage Rating** : 150V AC
- **Dielectric Strength** : 500V (Min. 60 seconds)



I/O

Order Information

127113FB026S500ZU
1 2 3 4 5

1. 'B' : Right Angle SMT Type
 2. No. of Pins
 3. Plating
'S5' : 30u" selctive gold in contact area
/min. 100u"tin solder area
 4. Color 'Z' : BLACK
 5. Package
'U' : TUBE Package Without CAP
- Reference Page 11

Recommended P.C.B Layout

